

## Option PK-SA (Version RWZ 5e SAa)


### Installation and Operation Instructions - Version 1/18

**Please read these instructions carefully and completely.  
 Only qualified personnel may conduct work on the module!  
 Before starting any work, it is mandatory to deflect static charge!**

Symbols used:

 = Position OPEN      |       = Position CLOSED


### 1 Concept

- Module for installation in SHEVS Control Centres type RWZ 5 from version “e”
- Potential-free contacts (PFC) to forward the indication of position 

### 2 Putting into service / putting out of service

We do not assume any guarantee or liability for defects caused by faulty connection.

#### 2.1 Installation / putting into service


 *Perform work on the module only in de-energised condition!*

- Put the SHEVS Control Centre out of service as specified in the corresponding operating instructions to install the module. Snap the module to the designated place (see Layout diagram in the Operation Instructions of the SHEVS Control Centre). Attach the flat ribbon cable and wire the module as specified in the enclosed connection diagram.
- Put the SHEVS Control Centre back into service. The module is ready for operation.
- While putting into service, check the functions of the module (see Section 3).

#### 2.2 Putting out of service

- Putting out of service is as specified in the corresponding operating instructions of the SHEVS Control Centre.


### 3 Functions, Operation and Maintenance

- **PFC **: The contact switches when a travel command is activated in the OPEN direction. In the case of a travel command in the CLOSE direction, the contact returns to its neutral position after 90 s at the latest.
- A contact is available for each ventilation group.
- **Maintenance**: Check the functioning of the contacts during maintenance of the SHEVS Control Centre once a year.

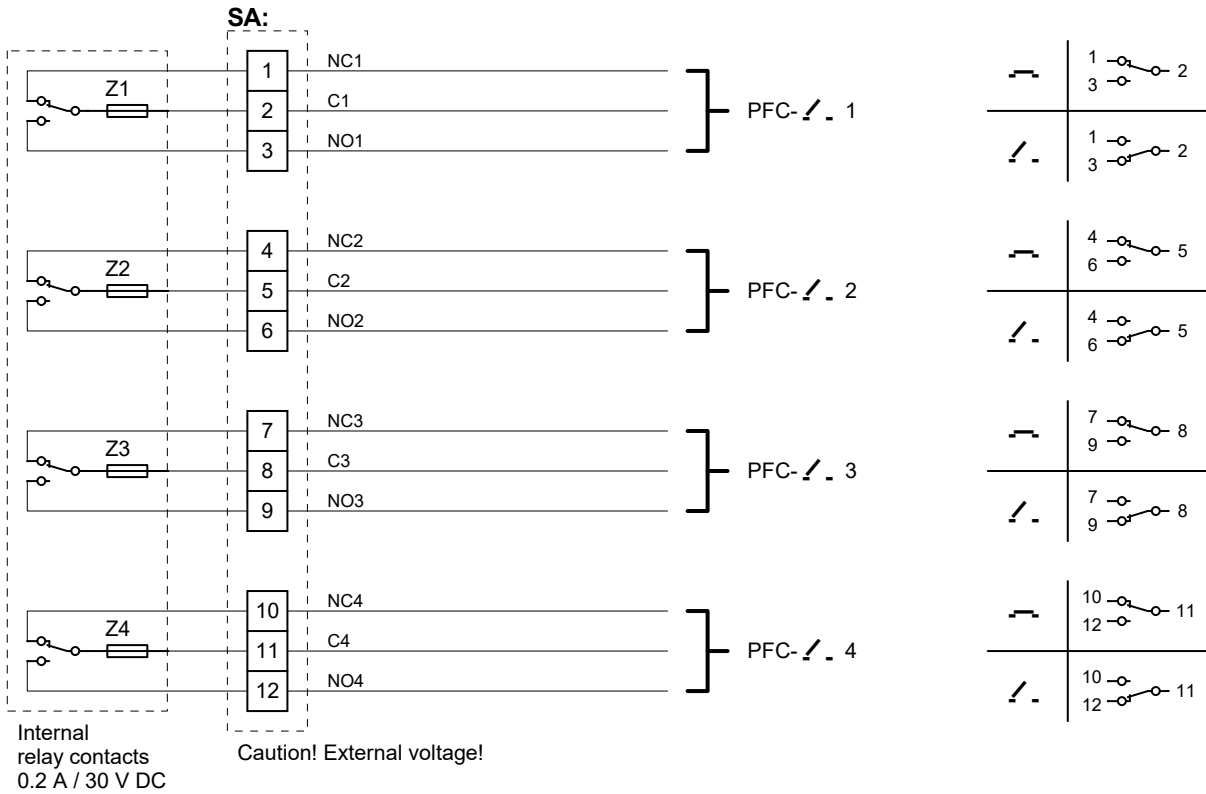
### 4 Technical Data

Type	<b>Option PK-SA</b>
Part number	8100 5500 0001
Dimensions in mm (W x H x D)	51 x 58 x 35
Ambient temperature	-5 °C ... +40 °C
Relative humidity	20 % ... 80 %, non-condensing
Contact load rating PFC  (4 changeover contacts)	0.2 A / 30 V $\overline{=}$

For mounting position, see Layout diagram in the Operation Instructions of the SHEVS Control Centre.  
 Not suitable for outdoor use. Protect from direct sunlight, humidity and excessive formation of dust!  
 Preferably, the installation should be carried out in dry, heated rooms.

The requirements of Directives 2014/35/EU and 2014/30/EU are met. 

### 5 Connection diagram



### 6 Layout diagram

