

Chain Actuator K 2

K 2-600-24

- Linear chain actuator, 24V $\overline{=}$ / 2,0A
- Push / pull force 400N, stroke 600mm
- **Min. window height 1100mm**, min. height of window - stock 50mm
- Integrated limit switches
- Electronic overload cutoff
- Duty cycle: 36s ON / 144s OFF
- Including mounting material
- Eloxated aluminium housing, black plastic end caps
- Degree of protection IP22, for use in dry rooms only
- Dimensions L575 x W87 x H50mm

K 2-600-230

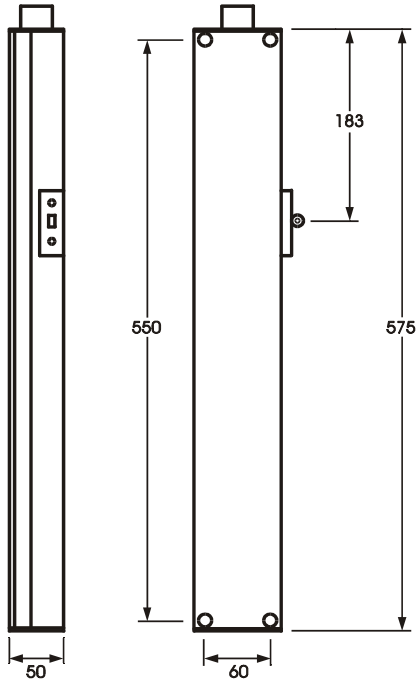
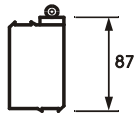
- Linear chain actuator, 230V \sim / 50Hz / 0,7A
- Push / pull force 400N, stroke 600mm
- **Min. window height 1100mm**, min. height of window - stock 50mm
- Integrated limit switches
- Internal uncoupling relay for parallel connection
- Duty cycle: 36s ON / 144s OFF
- Including mounting material
- Eloxated aluminium housing, black plastic end caps
- Degree of protection IP22, for use in dry rooms only
- Dimensions L575 x W87 x H50mm

Installation advice

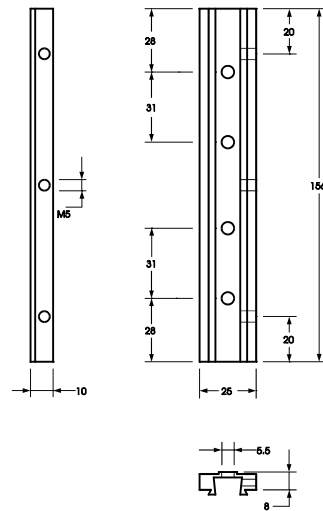
- ⚠ *During the operation of actuators by an external energy supply (e.g. with external accumulators to check the installation), **the actuators must not be connected to a Control Centre / Control simultaneously!** Otherwise this may cause defects at the power output of the Control Centre / Control.*
- ⚠ *When mounting the actuators, it has to be noticed, that they **have to reach the internal limit switch** in the closed position to cut off. However, when mounting the actuator in a way it is unable to reach the internal limit switch (window already closed, but chain not yet completely retracted), the tension is supplied to the blocked electric motor, as long as the travelling command is active. This will lead to damage to the motor or the gear. 24V- types are equipped with an electronic overload cutoff, which is not designed for continuous operation. Thus the described mounting situation may also lead to damage in this case.
We do not guarantee for resulting failures.*
- ⓘ *If the actuator properly switched off in the closed position, the current input with active travelling command is below 20mA.*

Chain Actuator K 2

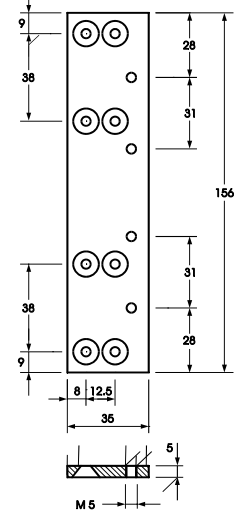
Dimensions



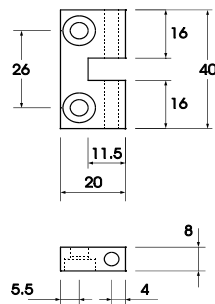
Fixing profile



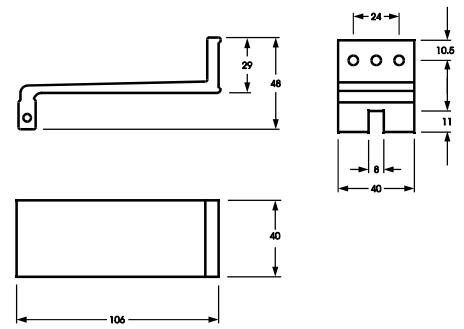
Mounting plate



Coupling bracket

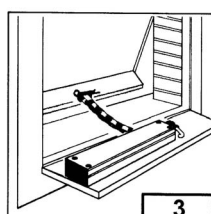
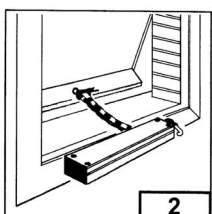
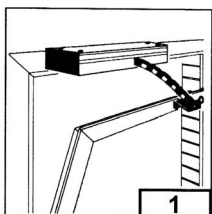
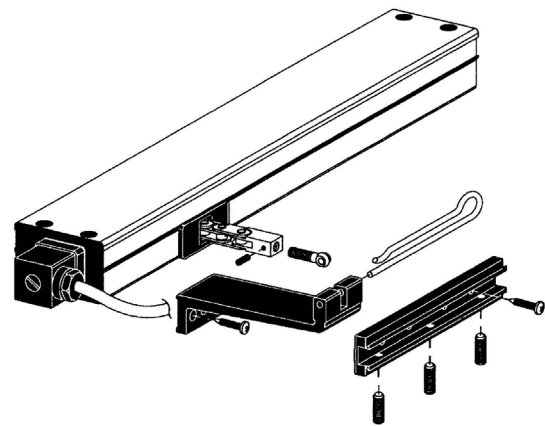
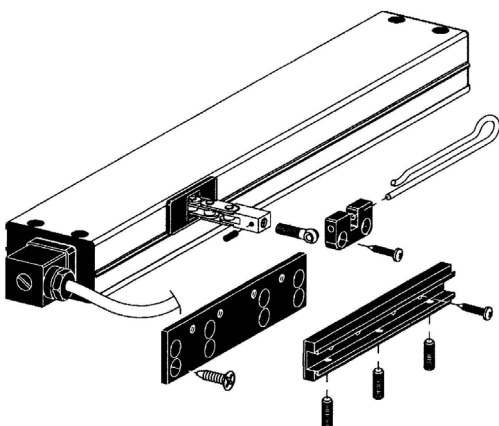


Distance bracket



Standard - installation

Installation using distance bracket



Pict. 1: Window opens to the inside, installation with distance bracket

Pict. 2: Window opens to the outside

Pict. 3: As pict. 2, installation on the window sill