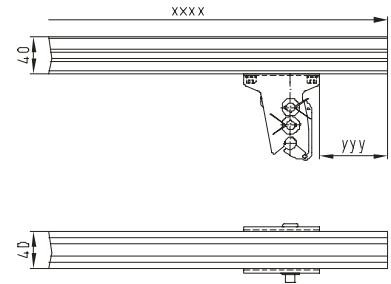


Typ OT 1.04:

- ◆ Upper cross beam to be mounted at site
- ◆ Extruded aluminium section 40x40
- ◆ Mechanical hook locking device **MHV** preassembled
- ◆ Available up to 1.950mm length

OT 1.04-xxxx-yyy:

(xxxx ... inner width of domelight frame)
 (yyy ... position of MHV)

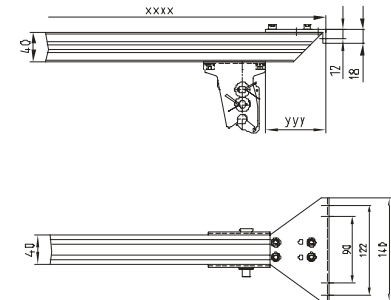


Typ OT 5.04:

- ◆ Upper crossbeam to be mounted with preassembled end plates
- ◆ Extruded aluminium section 40x40
- ◆ Mechanical hook locking device **MHV** preassembled
- ◆ Available up to 1.950mm length

OT 5.04-xxxx-yyy:

(xxxx ... inner width of domelight frame)
 (yyy ... position of MHV)

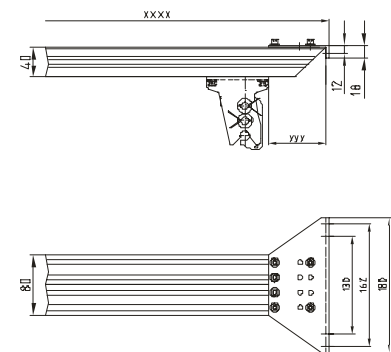


Typ OT 9.04:

- ◆ Upper crossbeam to be mounted with preassembled end plates
- ◆ Extruded aluminium section 80x40
- ◆ Mechanical hook locking device **MHV** preassembled
- ◆ Available up to 2.250mm length

OT 9.04-xxxx-yyy:

(xxxx ... inner width of domelight frame)
 (yyy ... position of MHV)



For special types, please inquire